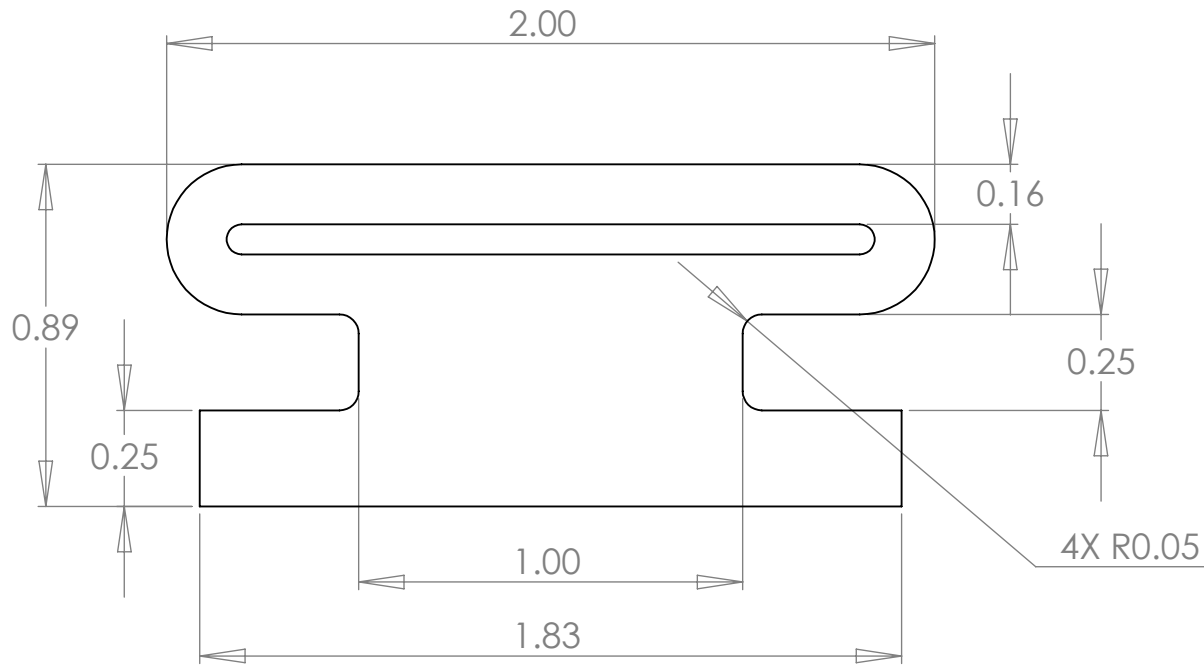


ISOMETRIC VIEW



Standard Materials:  
 EPDM/EDPM FDA  
 SILICONE  
 NEOPRENE/WHITE NEOPRENE FDA  
 NITRILE

Optional Materials: Setup May Apply  
 BUTYL  
 FKM

Avialable Corners: Face/Axial Seals  
 4" C/L Corners  
 6" C/L Corners  
 90° Square Corners  
 2" C/L Molded Corners  
 1" Rad. Corner Mold

Bend Radius:  
 Min. Dia. = 8" ID

**PROPRIETARY AND CONFIDENTIAL**  
 THE INFORMATION CONTAINED IN THIS DRAWING IS THE SOLE PROPERTY OF DYNAMIC RUBBER, INC. ANY REPRODUCTION IN PART OR AS A WHOLE WITHOUT THE WRITTEN PERMISSION OF DYNAMIC RUBBER, INC. IS PROHIBITED.

		UNLESS OTHERWISE SPECIFIED:	NAME	DATE
		DIMENSIONS ARE IN INCHES	DRAWN	T. Thompson
		TOLERANCES:	CHECKED	10/12/2009
		FRACTIONAL ±	ENG APPR.	
		ANGULAR: MACH ± BEND ±	MFG APPR.	
		TWO PLACE DECIMAL ±	Q.A.	
		THREE PLACE DECIMAL ±	COMMENTS:	
		INTERPRET GEOMETRIC TOLERANCING PER:		
		MATERIAL		
NEXT ASSY	USED ON	FINISH		
APPLICATION		DO NOT SCALE DRAWING		



SIZE	DWG. NO.	REV
<b>A</b>	DR3_SEAL	<b>1</b>
SCALE: 1:5	WEIGHT:	SHEET 1 OF 1