

ISOMETRIC VIEW

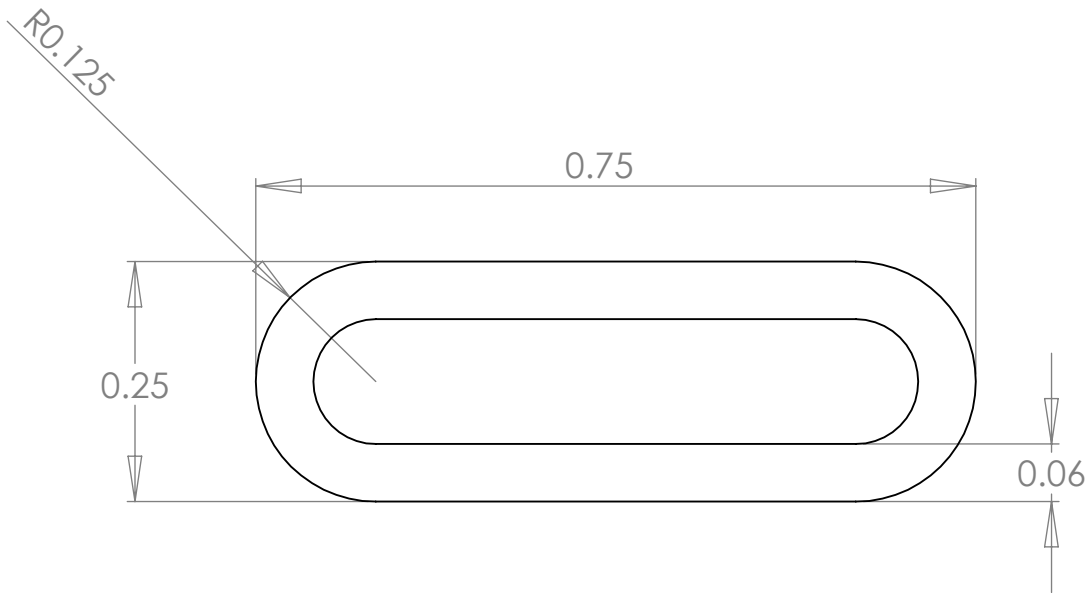
Expansion=  
0.1875

Standard Materials:  
EPDM  
NITRILE

Optional Materials: Setup May Apply  
SILICONE  
NEOPRENE  
BUTYL  
FKM

Available Corners: Face/Axial Seals  
Not Available - Setup May Apply

Bend Radius:  
Min. Dia. = 2.5" ID  
.5" ID with Special Mold



**PROPRIETARY AND CONFIDENTIAL**  
THE INFORMATION CONTAINED IN THIS DRAWING IS THE SOLE PROPERTY OF DYNAMIC RUBBER, INC. ANY REPRODUCTION IN PART OR AS A WHOLE WITHOUT THE WRITTEN PERMISSION OF DYNAMIC RUBBER, INC. IS PROHIBITED.

|             |         | UNLESS OTHERWISE SPECIFIED:   | NAME              | DATE       |
|-------------|---------|---|-------------------|------------|
|             |         | DIMENSIONS ARE IN INCHES<br>TOLERANCES:<br>FRACTIONAL ±<br>ANGULAR: MACH ± BEND ±<br>TWO PLACE DECIMAL ±<br>THREE PLACE DECIMAL ± | DRAWN T. Thompson | 10/12/2009 |
|             |         | INTERPRET GEOMETRIC TOLERANCING PER:  | CHECKED           |            |
|             |         | MATERIAL  | ENG APPR.         |            |
|             |         | FINISH  | MFG APPR.         |            |
| NEXT ASSY   | USED ON |   | Q.A.              |            |
| APPLICATION |         | DO NOT SCALE DRAWING  | COMMENTS:         |            |



|                  |                      |              |
|------------------|----------------------|--------------|
| SIZE<br><b>A</b> | DWG. NO.<br>DR5_SEAL | REV<br>1     |
| SCALE: 2:1       | WEIGHT:              | SHEET 1 OF 1 |