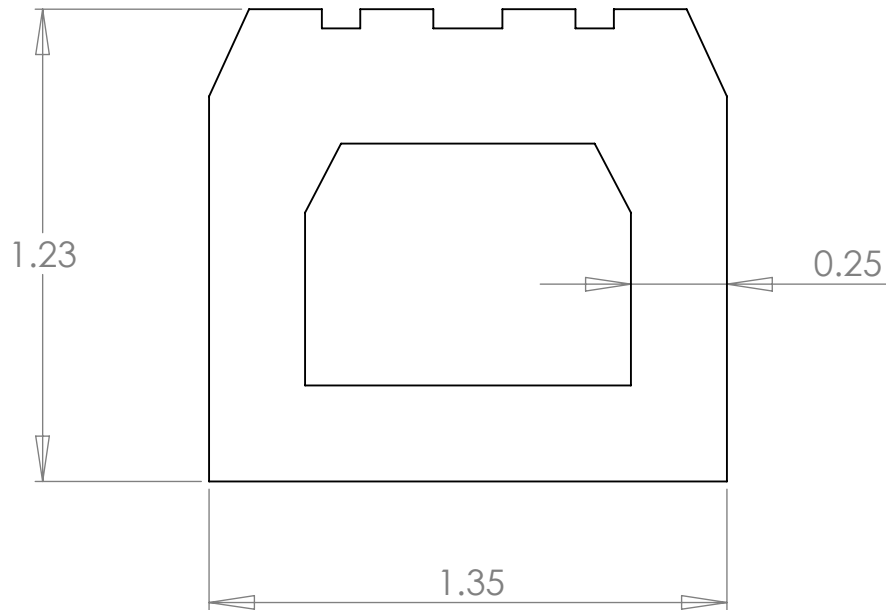


ISOMETRIC VIEW



Expansion:  
0.375"

Standard Materials:  
SILICONE  
NEOPRENE

Optional Materials: Setup May Apply  
EPDM  
NITRILE  
BUTYL  
FKM

Available Corners: Face/Axial Seals  
Not Available - Setup May Apply

Bend Radius:  
Min. Dia. = 10" ID

**PROPRIETARY AND CONFIDENTIAL**  
THE INFORMATION CONTAINED IN THIS DRAWING IS THE SOLE PROPERTY OF DYNAMIC RUBBER, INC. ANY REPRODUCTION IN PART OR AS A WHOLE WITHOUT THE WRITTEN PERMISSION OF DYNAMIC RUBBER, INC. IS PROHIBITED.

		UNLESS OTHERWISE SPECIFIED:	NAME	DATE
		DIMENSIONS ARE IN INCHES	DRAWN T. Thompson	9/11/2009
		TOLERANCES:	CHECKED	
		FRACTIONAL ±	ENG APPR.	
		ANGULAR: MACH ± BEND ±	MFG APPR.	
		TWO PLACE DECIMAL ±	Q.A.	
		THREE PLACE DECIMAL ±	COMMENTS:	
		INTERPRET GEOMETRIC TOLERANCING PER:		
		MATERIAL		
NEXT ASSY	USED ON	FINISH		
APPLICATION		DO NOT SCALE DRAWING		



SIZE <b>A</b>	DWG. NO. DR60_SEAL	REV 1
SCALE: 1:2	WEIGHT:	SHEET 1 OF 1