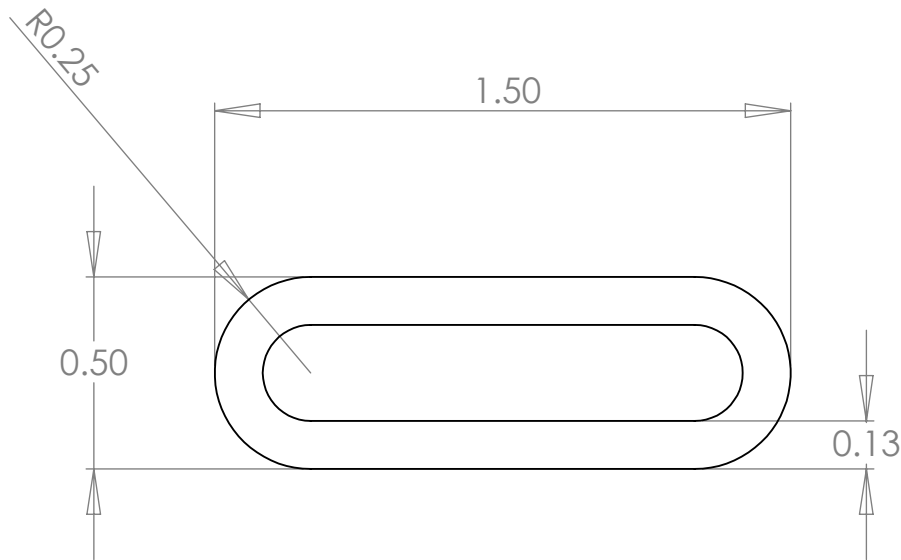


ISOMETRIC VIEW



Expansion:  
0.4375"

Standard Materials:  
EPDM

Optional Materials: Setup May Apply  
SILICONE  
NEOPRENE  
NITRILE  
BUTYL  
FKM

Available Corners: Face/Axial Seals  
Not Available - Setup May Apply

Bend Radius:  
Min. Dia. = 4" ID

**PROPRIETARY AND CONFIDENTIAL**  
THE INFORMATION CONTAINED IN THIS DRAWING IS THE SOLE PROPERTY OF DYNAMIC RUBBER, INC. ANY REPRODUCTION IN PART OR AS A WHOLE WITHOUT THE WRITTEN PERMISSION OF DYNAMIC RUBBER, INC. IS PROHIBITED.

		UNLESS OTHERWISE SPECIFIED:		NAME	DATE
		DIMENSIONS ARE IN INCHES	DRAWN	T. Thompson	10/12/2009
		TOLERANCES:	CHECKED		
		FRACTIONAL ±	ENG APPR.		
		ANGULAR: MACH ± BEND ±	MFG APPR.		
		TWO PLACE DECIMAL ±	Q.A.		
		THREE PLACE DECIMAL ±	COMMENTS:		
		INTERPRET GEOMETRIC TOLERANCING PER:			
		MATERIAL			
NEXT ASSY	USED ON	FINISH			
APPLICATION		DO NOT SCALE DRAWING			



SIZE	DWG. NO.	REV
<b>A</b>	DR6_SEAL	<b>1</b>
SCALE: 1:1	WEIGHT:	SHEET 1 OF 1