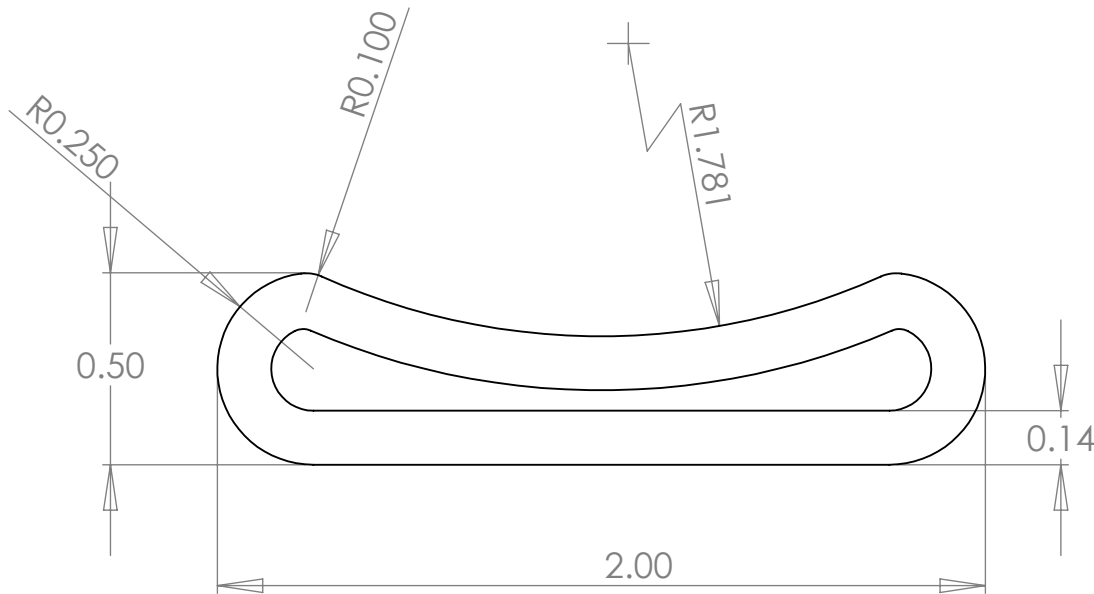


ISOMETRIC VIEW



Expansion:
1"

Standard Materials:
EPDM/EPDM FDA

Optional Materials: Setup May Apply
SILICONE
NEOPRENE
NITRILE
BUTYL
FKM

Available Corners: Face/Axial Seals
90° Square Corners

Bend Radius:
Min. Dia. = 5" ID

Other Tooling:
Male-Female Interlocking Ends

PROPRIETARY AND CONFIDENTIAL
THE INFORMATION CONTAINED IN THIS DRAWING IS THE SOLE PROPERTY OF DYNAMIC RUBBER, INC. ANY REPRODUCTION IN PART OR AS A WHOLE WITHOUT THE WRITTEN PERMISSION OF DYNAMIC RUBBER, INC. IS PROHIBITED.

| | | UNLESS OTHERWISE SPECIFIED: | NAME | DATE |
|-------------|---------|---|-------------------|------------|
| | | DIMENSIONS ARE IN INCHES TOLERANCES: FRACTIONAL ± ANGULAR: MACH ± BEND ± TWO PLACE DECIMAL ± THREE PLACE DECIMAL ± | DRAWN T. Thompson | 10/23/2009 |
| | | INTERPRET GEOMETRIC TOLERANCING PER: | CHECKED | |
| | | MATERIAL | ENG APPR. | |
| | | FINISH | MFG APPR. | |
| NEXT ASSY | USED ON | | Q.A. | |
| APPLICATION | | DO NOT SCALE DRAWING | COMMENTS: | |



| | | |
|------------------|----------------------|-----------------|
| SIZE A | DWG. NO. DR7_SEAL | REV 1 |
| SCALE: 1:2 | WEIGHT: | SHEET 1 OF 1 |