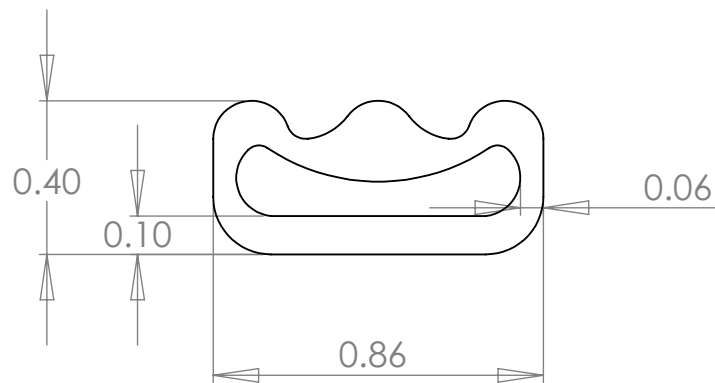


ISOMETRIC VIEW



Expansion:  
0.25"

Standard Materials:  
SILICONE

Optional Materials: Setup May Apply  
EPDM  
NEOPRENE  
NITRILE  
BUTYL  
FKM

Available Corners: Face/Axial Seals  
90° Molded Square Corners

Bend Radius:  
Min. Dia. = 4" ID

**PROPRIETARY AND CONFIDENTIAL**  
THE INFORMATION CONTAINED IN THIS DRAWING IS THE SOLE PROPERTY OF DYNAMIC RUBBER, INC. ANY REPRODUCTION IN PART OR AS A WHOLE WITHOUT THE WRITTEN PERMISSION OF DYNAMIC RUBBER, INC. IS PROHIBITED.

		UNLESS OTHERWISE SPECIFIED:	NAME	DATE
		DIMENSIONS ARE IN INCHES TOLERANCES: FRACTIONAL ± ANGULAR: MACH ± BEND ± TWO PLACE DECIMAL ± THREE PLACE DECIMAL ±	DRAWN T. Thompson	9/4/2009
		INTERPRET GEOMETRIC TOLERANCING PER:	CHECKED	
		MATERIAL	ENG APPR.	
		FINISH	MFG APPR.	
NEXT ASSY	USED ON		Q.A.	
APPLICATION		DO NOT SCALE DRAWING	COMMENTS:	



SIZE <b>A</b>	DWG. NO. DR96_SEAL	REV 1
SCALE: 1:2	WEIGHT:	SHEET 1 OF 1